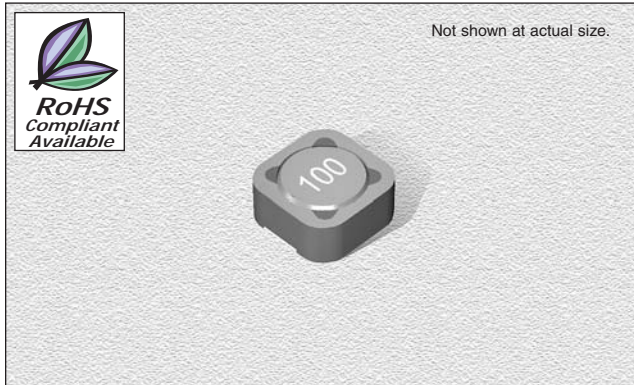


# CTCDRH73B Series

From 10  $\mu$ H to 1,000  $\mu$ H



## SPECIFICATIONS

Parts are available in  $\pm 20\%$  tolerance only.  
CTCDRH73BE Please specify "F" for RoHS Compliant

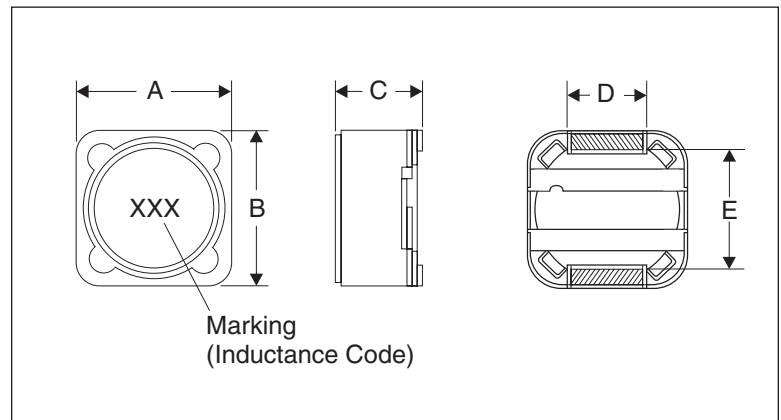
Part Number	Inductance ( $\mu$ H)	L Test Freq. (kHz)	DCR Max. ( $\Omega$ )	IDC Max. (A)
CTCDRH73B_-100M	10	1.0	.07	1.7
CTCDRH73B_-120M	12	1.0	.10	1.5
CTCDRH73B_-150M	15	1.0	.13	1.3
CTCDRH73B_-180M	18	1.0	.14	1.2
CTCDRH73B_-220M	22	1.0	.19	1.1
CTCDRH73B_-270M	27	1.0	.21	.96
CTCDRH73B_-330M	33	1.0	.24	.91
CTCDRH73B_-390M	39	1.0	.32	.77
CTCDRH73B_-470M	47	1.0	.36	.76
CTCDRH73B_-560M	56	1.0	.47	.68
CTCDRH73B_-680M	68	1.0	.52	.61
CTCDRH73B_-820M	82	1.0	.69	.57
CTCDRH73B_-101M	100	1.0	.79	.50
CTCDRH73B_-121M	120	1.0	.89	.49
CTCDRH73B_-151M	150	1.0	1.3	.43
CTCDRH73B_-181M	180	1.0	1.5	.39
CTCDRH73B_-221M	220	1.0	1.7	.35
CTCDRH73B_-271M	270	1.0	2.3	.32
CTCDRH73B_-331M	330	1.0	2.6	.28
CTCDRH73B_-391M	390	1.0	2.9	.26
CTCDRH73B_-471M	470	1.0	4.2	.24
CTCDRH73B_-561M	560	1.0	4.7	.22
CTCDRH73B_-681M	680	1.0	5.7	.19
CTCDRH73B_-821M	820	1.0	6.5	.18
CTCDRH73B_-102M	1000	1.0	9.4	.16

## CHARACTERISTICS

- Description:** SMD (shielded) power inductor
- Applications:** Power supplies for VTR, OA equipment, LCD televisions, PC notebooks, portable communication equipment, DC/DC converters, etc.
- Operating Temperature:**  $-40^{\circ}\text{C}$  to  $+85^{\circ}\text{C}$
- Inductance Tolerance:**  $\pm 20\%$
- Testing:** Inductance is tested on an HP4284A at 1.0 kHz
- Packaging:** Tape & Reel
- Marking:** Parts are marked with inductance code
- Miscellaneous:** Magnetically shielded
- Miscellaneous:** RoHS Compliant available
- Additional Information:** Additional electrical & physical information available upon request
- Samples available. See website for ordering information.**

## PHYSICAL DIMENSIONS

Size	A Max.	B Max.	C Max.	D	E
mm	7.5	7.5	3.4	2.7 $\pm$ 0.5	5.4 $\pm$ 0.2
inches	0.3	0.3	0.13	0.11 $\pm$ 0.02	0.21 $\pm$ 0.008



01.14.05